

IPRB

Masonry and Stud Wall Isolation Bracket

Resilient support the head of a stud wall partition or concrete masonry (CMU) wall.

Use IPRB for walls to be completely decoupled from the deck. In stud walls use IPRB-48 continuously if the top of partition is exposed, or stagger IPRB-6 if the head of the partition is above a gypsum board ceiling. IPRB-48 should be used for CMU applications.

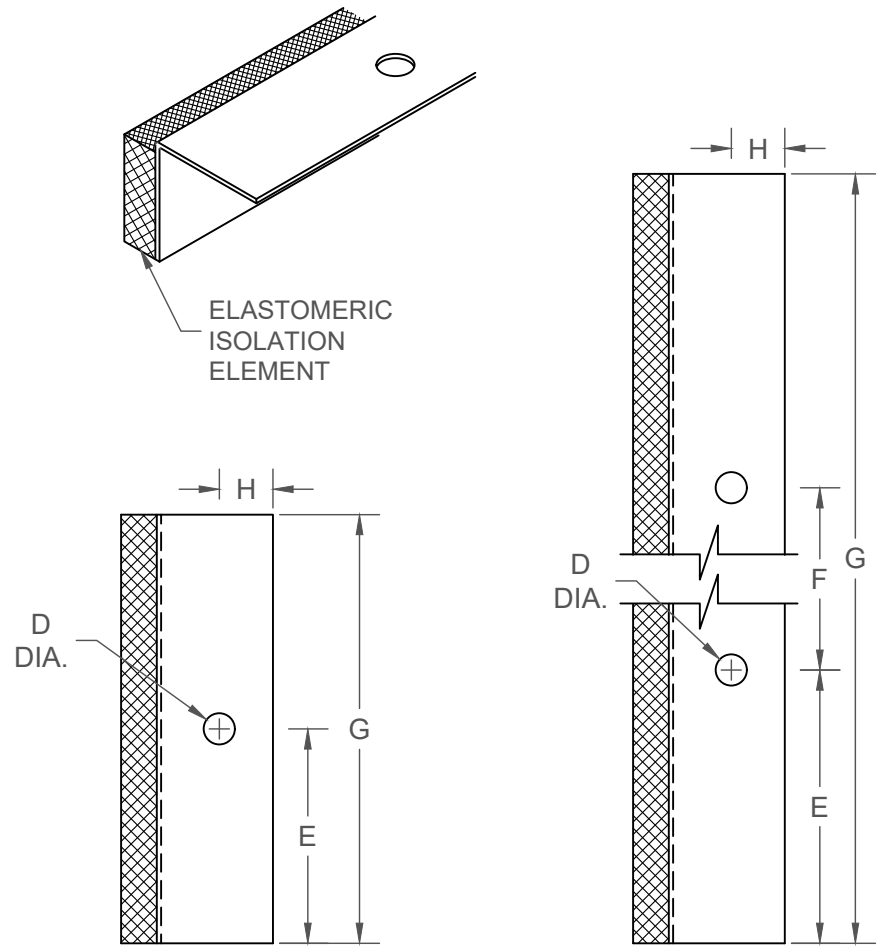
- Used on both sides of an isolated partition.
- Available in continuous strips (IPRP-48) or segmented (IPRB-6)
- Can be reversed (IPRB-R) if partition is close to non-isolated structure.



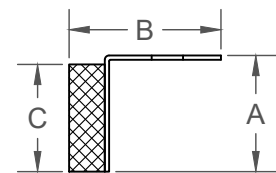
kineticsnoise.com
sales@kineticsnoise.com
1-800-959-1229

IPRB ISOLATION BRACKET								
IP UNITS (INCHES AND POUNDS)								
TYPE	DIMENSION							
	A	B	C	D	E	F	G	H
IPRB-6	1.63	2.13	1.50	0.44	3.00	-	6.00	0.75
IPRB-48	1.63	2.13	1.50	0.44	12.00	24.00	48.00	0.75

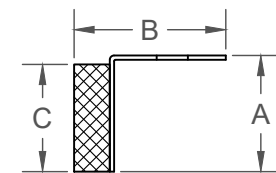
IPRB ISOLATION BRACKET								
SI UNITS (mm AND kg)								
TYPE	DIMENSION							
	A	B	C	D	E	F	G	H
IPRB-6	41	54	38	11	76	-	152	19
IPRB-48	41	54	38	11	305	610	1219	19



TOP VIEW



IPRB-6



IPRB-48

FRONT VIEW

SPECIFICATIONS:

- ANGLE IS GALVANIZED STEEL.
- RATED DESIGN LOAD IS 55 PLF [82 KG].

SCALE: N.T.S.