

PSB-M

Resilient Masonry Attachment

For use when wall isolation is desired for concrete masonry unit (CMU) wall construction, PSB-M supports the partition from buckling. PSB-M can be implemented in many construction situations, as it is a multi-axis restraint and is seismically rated.

PSB-M should be specified whenever a secondary wall is used for improved sound control and rigid bracing will cause unwanted noise transfer. It is important to note that these devices do not add to the STC (Sound Transmission Class) rating of a partition, instead they provide structural stability without sacrificing acoustic performance..

- Add structural integrity to isolated partition
- Ensure quiet space performs as designed
- Prevent wall buckling during seismic event



kineticsnoise.com

sales@kineticsnoise.com

1-800-959-1229

PSB-M WALL RESTRAINT

IP UNITS (INCHES AND POUNDS)

TYPE	A	B	C	D	H	L	W
175/2000	0.56	0.69	5.13	0.38	9.66	6.50	3.00

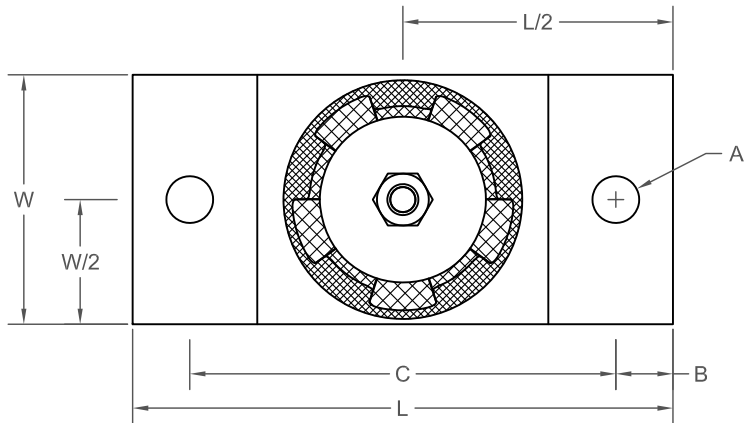
PSB-M WALL RESTRAINT

SI UNITS (mm AND kg)

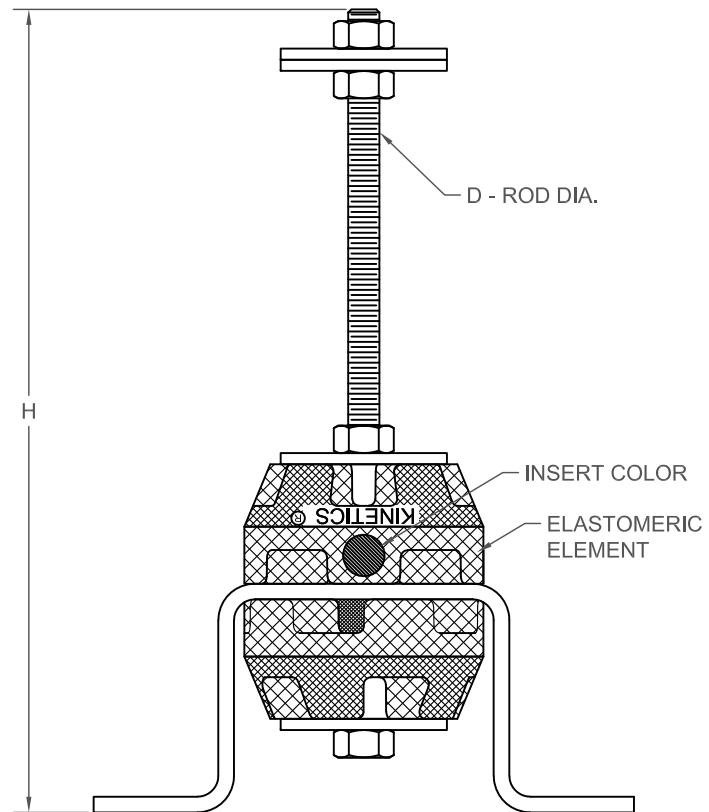
TYPE	A	B	C	D	H	L	W
175/2000	14	17	130	10	245	165	76

STANDARD RATINGS

TYPE	SIZE	INSERT COLOR	DURO-METER	RATED LOAD (LBS)	RATED LOAD (KG)
PSB	175	RED	40	175	79
PSB	300	GREEN	50	300	136
PSB	450	WHITE	60	450	204
PSB	750	PURPLE	70	750	340
PSB	1100	YELLOW	80	1100	499
PSB	2000	PINK	90	2000	907



TOP VIEW



FRONT VIEW

SCALE: N.T.S.

SPECIFICATIONS:

- ISOLATORS ARE DESIGNED TO LIMIT WALL MOTION.
- ALL HARDWARE IS ZINC PLATED.

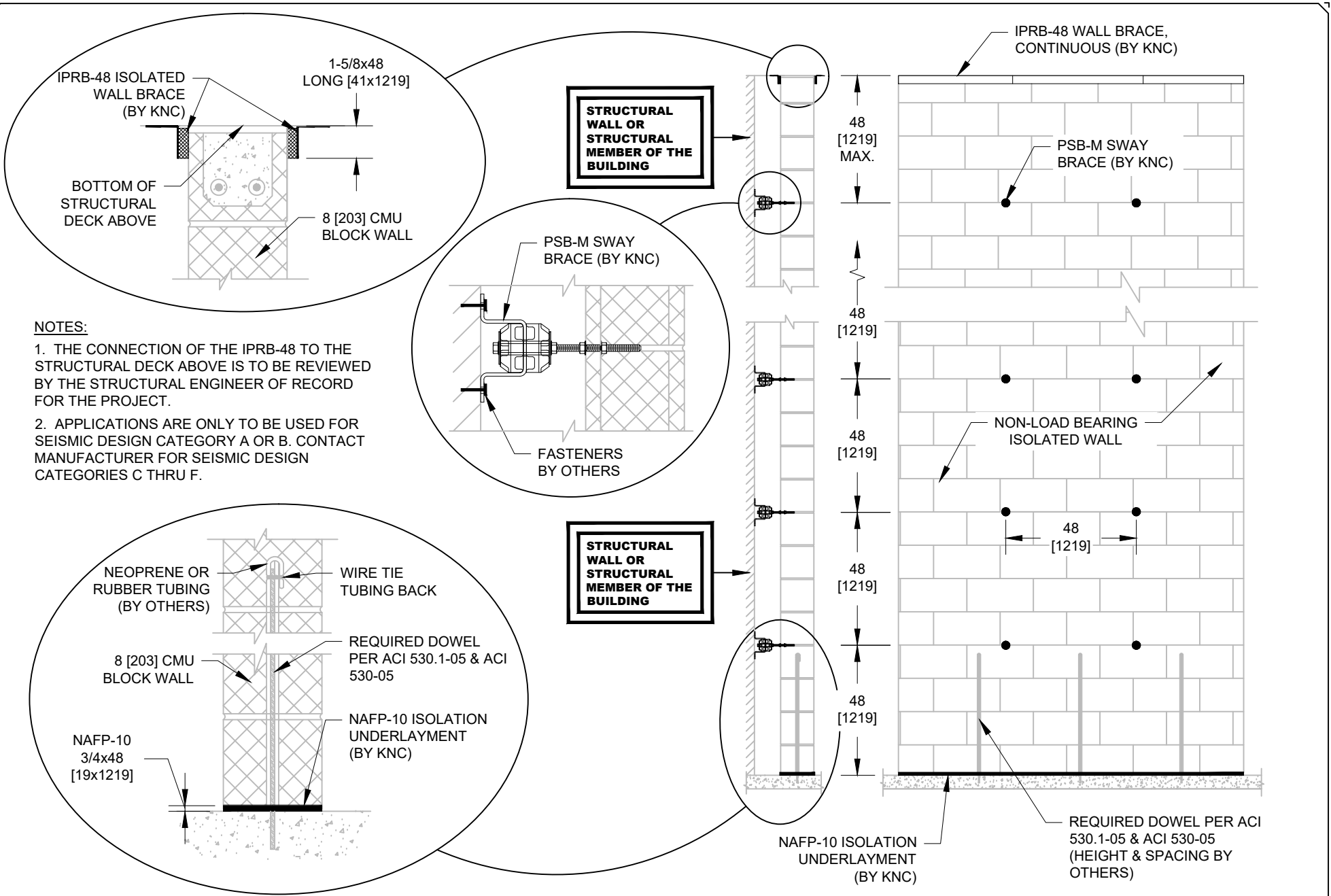


PSB-175/2000-M
MASONRY WALL SWAY BRACE

Revised
07/11/19

Drawing No.
AA002009

kineticsnoise.com/psb



NOTES:

1. THE CONNECTION OF THE IPRB-48 TO THE STRUCTURAL DECK ABOVE IS TO BE REVIEWED BY THE STRUCTURAL ENGINEER OF RECORD FOR THE PROJECT.
2. APPLICATIONS ARE ONLY TO BE USED FOR SEISMIC DESIGN CATEGORY A OR B. CONTACT MANUFACTURER FOR SEISMIC DESIGN CATEGORIES C THRU F.

DIMENSION FORMAT: IN [mm]

SCALE: 1/4" = 1'-0"



NON-LOAD BEARING
ISOLATED WALL UP TO 20'-0"
WITH IPRB-48 AND NAFP-10

Revised
07/22/2020

Drawing No.
AA002060

kineticsnoise.com/psb-m
kineticsnoise.com/nafp
kineticsnoise.com/iprb