



PSB-S

Resilient Partition Attachment

For use when wall isolation is desired for wood-and steel-frame studwall construction, PSB-S supports the partition from buckling and eliminates the “give” felt when leaning on a wall that is acoustically isolated. PSB-S can be implemented in many construction situations, as it is a multi-axis restraint and is seismically rated.

Decoupling a partition from non-isolated structural components, while maintaining structural integrity, is crucial to the success of any isolation construction. PSB-S should be used when a partition isn’t supported at the top plate or when support at the top and bottom of the partition isn’t sufficient to keep the partition from buckling.

- 11-ga galvanized steel bracket
- Adjustable standoff can be tailored to specific airspaces (2-1/2" minimum)
- Static load rating of 50 lbs.
- 7/16" thru slots for easy installation



kineticsnoise.com

sales@kineticsnoise.com

1-800-959-1229

PSB-S-75/125					
I-P UNITS (INCHES AND POUNDS)					
MODEL	RATED			DURO	COLOR
	LOAD	DEFL.	NATURAL FREQUENCY		
PSB-S-75	75.0	0.10	10.0	35	BLACK
PSB-S-125	125.0	0.10	10.0	60	BLACK

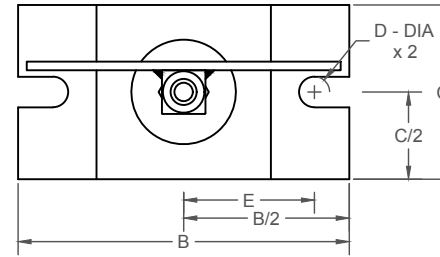
DIMENSION													
A	B	C	D	E	F	G	H	J	K	L	M	N	
6.45	4.75	2.50	0.44	1.88	1.88	0.44	4.50	1.50	1.75	1.00	0.31	0.19	

PSB-S-75/125					
SI UNITS (mm AND kg)					
MODEL	RATED			DURO	COLOR
	LOAD	DEFL.	NATURAL FREQUENCY		
PSB-S-75	34	3	10.0	35	BLACK
PSB-S-125	57	3	10.0	60	BLACK

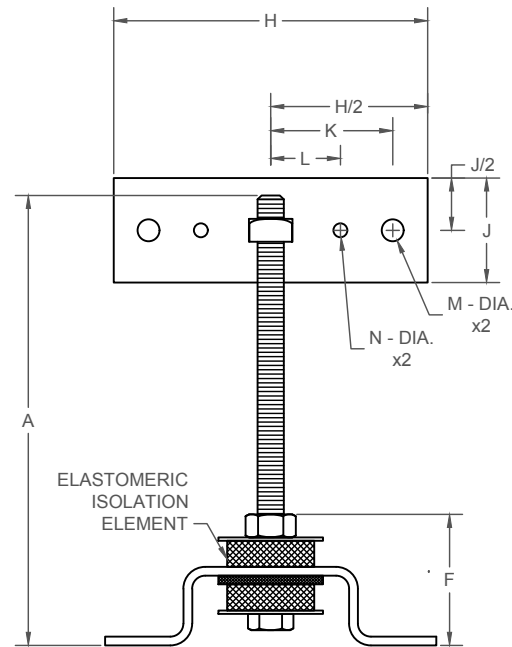
DIMENSION													
A	B	C	D	E	F	G	H	J	K	L	M	N	
164	121	64	11	48	48	11	114	38	44	25	8	5	

SPECIFICATIONS:

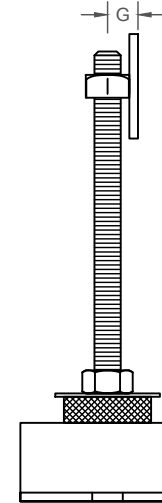
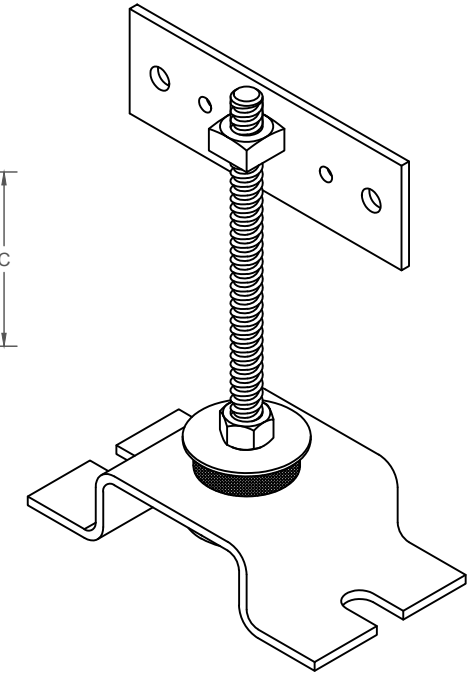
- ISOLATORS ARE DESIGNED TO LIMIT WALL MOTION.
- ISOLATOR BRACKETS AND HARDWARE ARE ZINC PLATED STEEL.



TOP VIEW

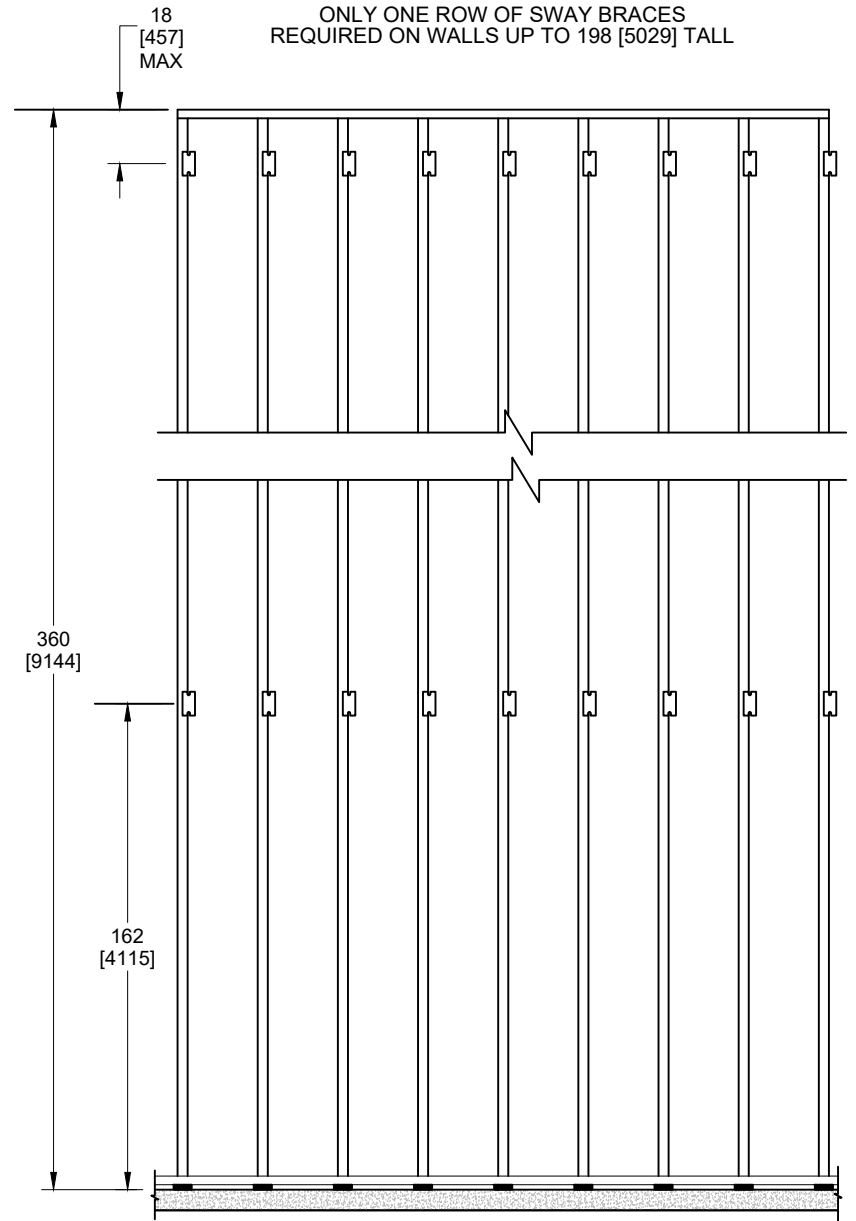
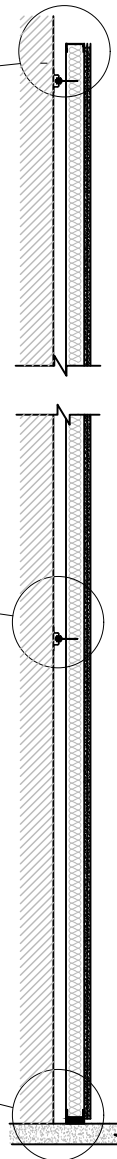
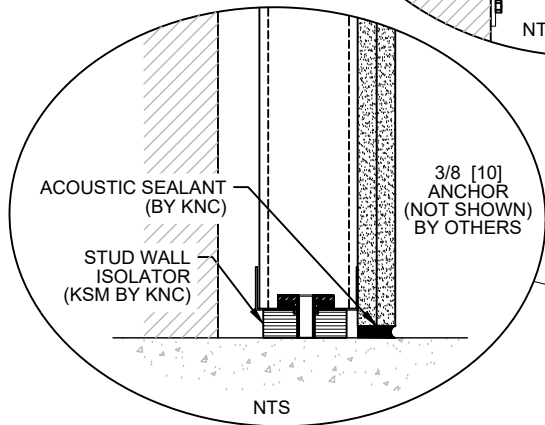
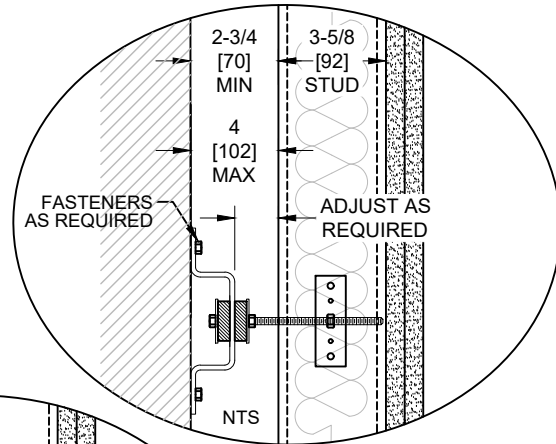
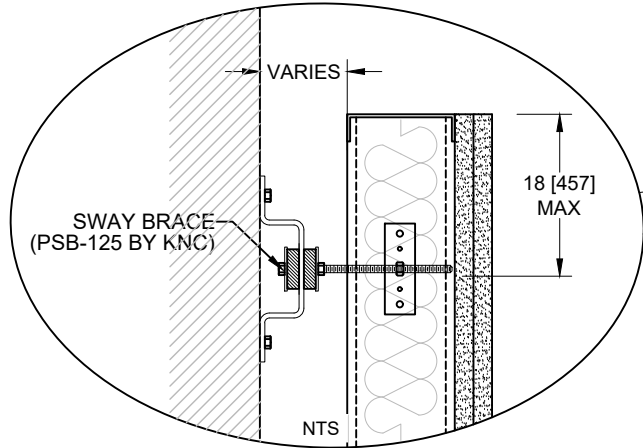


FRONT VIEW



SIDE VIEW

SCALE: N.T.S.



- NOTES**
- DIMENSIONS SHOWN ARE WITH UNMODIFIED STANDARD BOLT.
 - BOLTS CAN BE TRIMMED IN FIELD FOR 2" MINIMUM AIR GAP.
 - LONGER BOLTS AVAILABLE FOR DEEPER AIR GAPS.
 - AIR SPACES CAN ALSO BE MANIPULATED BY USING DIFFERENT STUD WIDTHS.

DIMENSION FORMAT: IN [MM]

SCALE: 3/16" = 1'-0"



PSB-125 WITH KSM:
ISOLATED WALL 15'-0 - 30'-0 HIGH

Revised
5/18/2020

Drawing No.
AA001948

kineticsnoise.com/psb