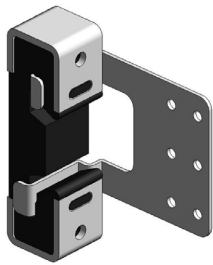


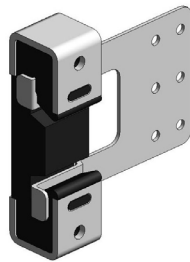
UNIBRACE

kineticsnoise.com/unibrace

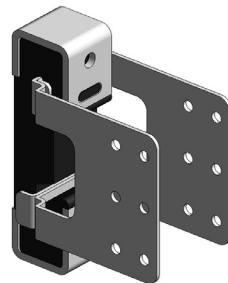
UniBrace is series of isolators that enable designers to decouple a multitude of miscellaneous items that can arise in any construction project. Follow the allowable shear and tensile loads and these isolators can be used to isolate plumbing, soffits, garage door openers, or anything else that needs to be resiliently supported.



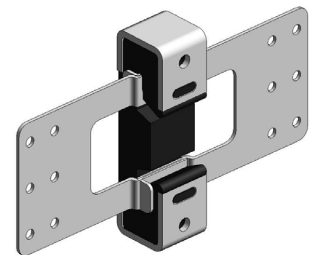
UNIBRACE-L



UNIBRACE-F



UNIBRACE-DOUBLE-L



UNIBRACE-DOUBLE-F



kineticsnoise.com

sales@kineticsnoise.com

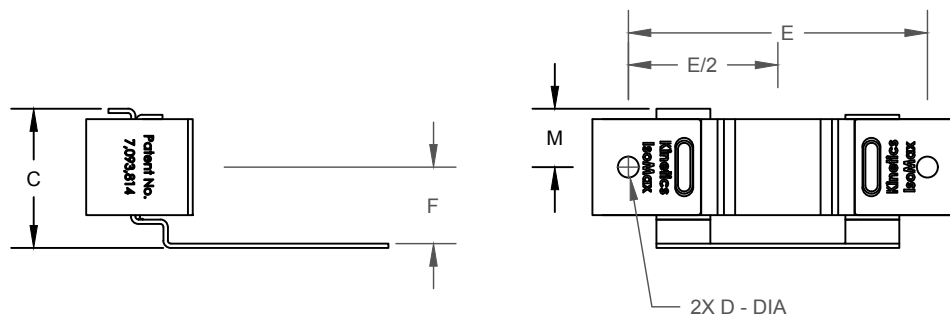
1-800-959-1229

UNIBRACE L												
IP UNITS (INCHES AND POUNDS)												
A	B	C	D	E	F	G	H	J	K	L	M	
3.86	3.15	1.45	0.22	3.11	0.80	2.53	1.78	0.89	0.84	0.28	0.61	

UNIBRACE L	
MAX. LOADING (LBS)	
SHEAR	TENSILE
35.0	50.0

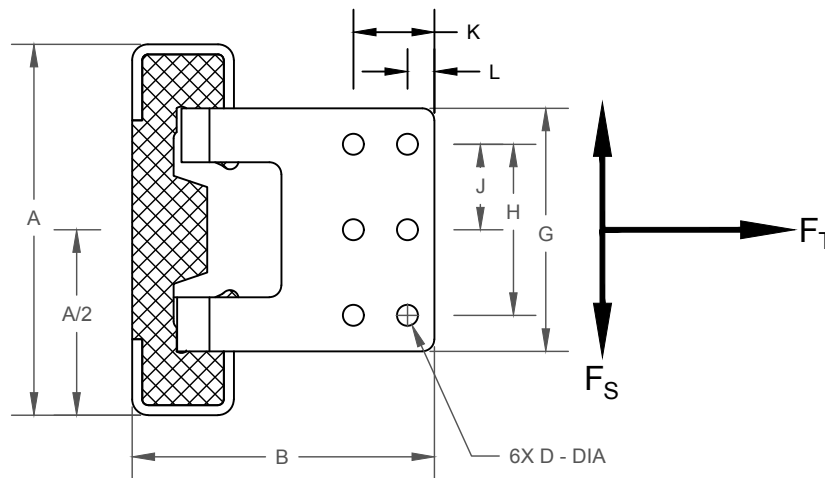
UNIBRACE L												
SI UNITS (mm AND kg)												
A	B	C	D	E	F	G	H	J	K	L	M	
98	80	37	6	79	20	64	45	23	21	7	15	

UNIBRACE L	
MAX. LOADING (kg)	
SHEAR	TENSILE
15.9	22.7



TOP VIEW

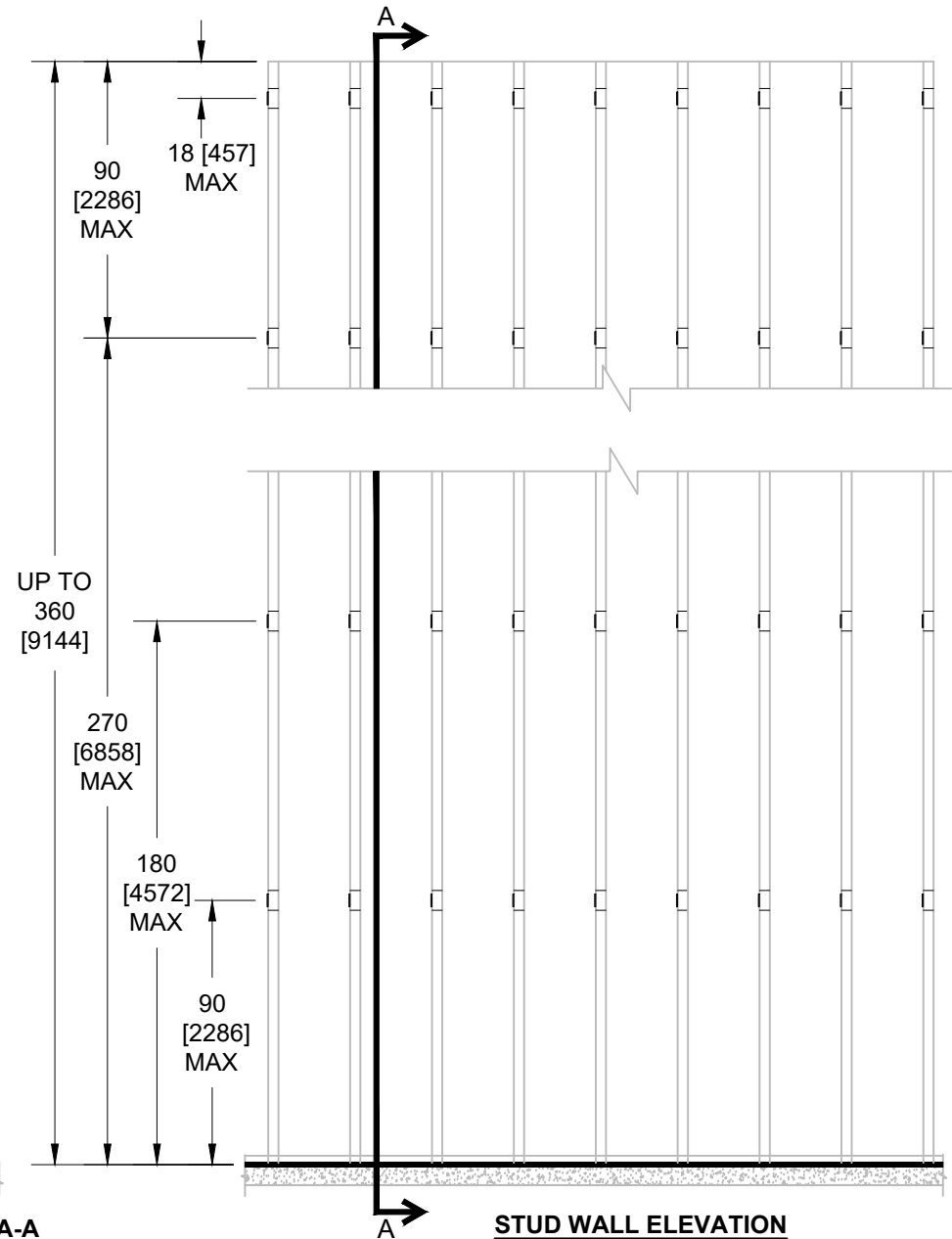
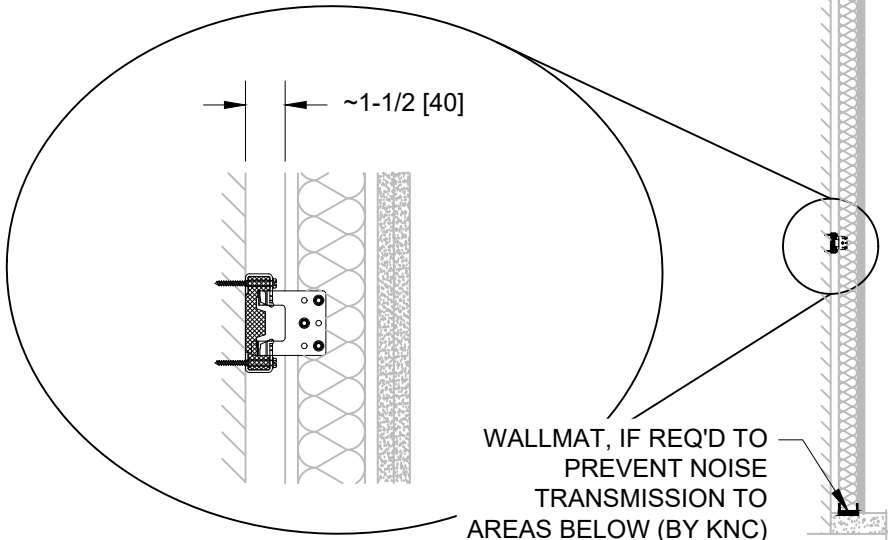
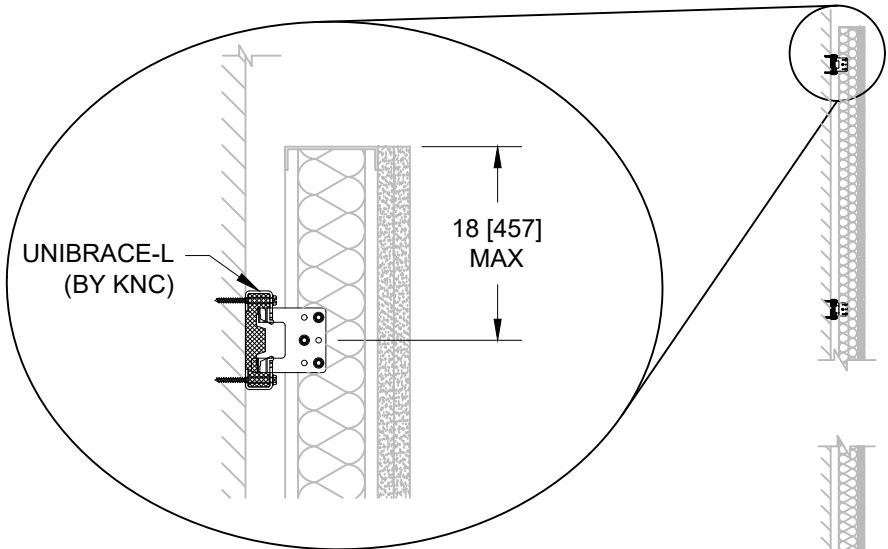
SIDE VIEW



FRONT VIEW

NOTE:
UNIT SHIPS UNASSEMBLED.

SCALE: 6" = 1' - 0"



DIMENSION FORMAT: IN [mm]

SCALE: 3/16" = 1'-0"



METAL OR WOOD STUD WALL PARTITION
WITH WALLMAT & UNIBRACE L

Revised
09/04/2020

Drawing No.
AA001954

kineticsnoise.com/unibrace
kineticsnoise.com/wallmat